

SEWING TUTORIAL

# hems



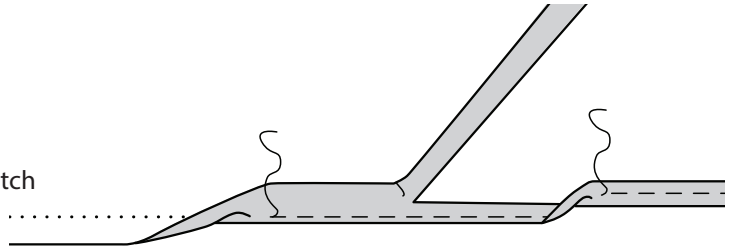
RIGHT SIDE  
OF FABRIC



BACK SIDE  
OF FABRIC

## SEWING A BABY HEM AKA DESIGNER HEM

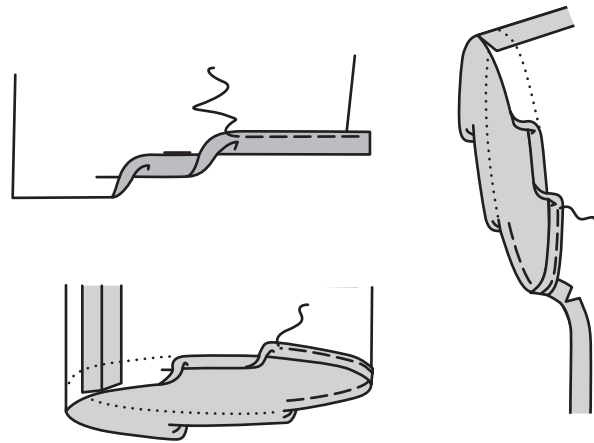
Press up  $\frac{1}{4}$ " (6mm) on lower edge. Stitch close to pressed edge. Trim close to stitching. Press under  $\frac{1}{8}$ " (3mm) and stitch in place.



## SEWING NARROW HEMS

Press up  $\frac{5}{8}$ " (1.5cm) narrow hem at lower edge, turning in raw edge to meet the crease.

Stitch in place.



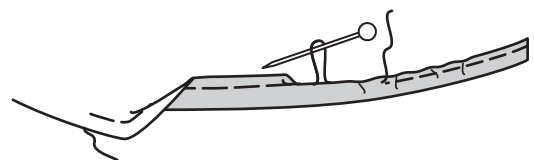
## SEWING A NARROW HEM WITH EASE

To hem lower edge, machine baste  $\frac{1}{4}$ " (6mm) from raw edge using long machine stitches, as shown.

Press up a  $\frac{5}{8}$ " (1.5cm) narrow hem on lower edge, turning under raw edge on line of basting.

Pull thread to ease in fullness.

Stitch in place.



# hems continued

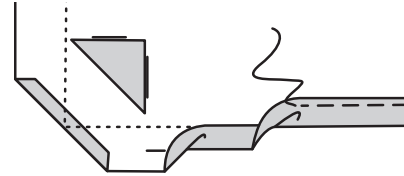
## SEWING NARROW HEM WITH CORNERS

Press up  $\frac{5}{8}$ " (1.5cm) narrow hem at lower edge of fabric piece.

Open out and turn under corners diagonally where crease lines cross.

Trim corner to  $\frac{1}{4}$ " (6mm). Turn in raw edge to meet crease.

Press. Stitch in place.

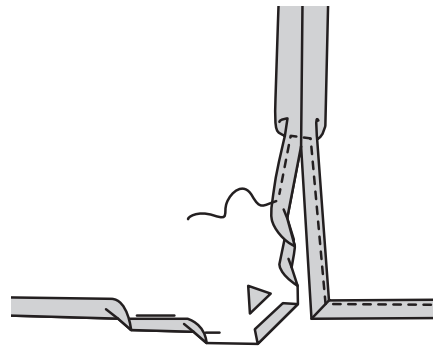


## SEWING A NARROW HEM WITH SQUARE SLIT OPENING

Press in  $\frac{5}{8}$ " (1.5cm) on side and lower edges of fabric piece.

Open out and turn under corners diagonally where crease lines cross. Trim corner to  $\frac{1}{4}$ " (6mm).

Turn in raw edge to meet crease, tapering to nothing above top of opening. Stitch hem in place, squaring stitching above opening.



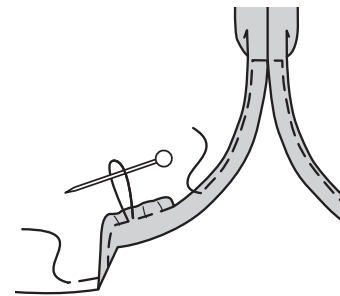
## SEWING NARROW HEM WITH CURVED SLIT OPENING

Machine-baste  $\frac{1}{4}$ " (6mm) from curved raw edge, using long machine stitches, as shown.

Press up a  $\frac{5}{8}$ " (1.5cm) narrow hem on lower and side opening edge, turning under raw edge to meet the crease.

Pull thread to ease in fullness.

Stitch in place, squaring stitching above opening.



## SEWING NARROW HEM WITH FACING

Turn facing to outside. Stitch  $\frac{5}{8}$ " (1.5cm) from lower edge of facing. Trim as shown.

Turn facing to inside, pressing up  $\frac{5}{8}$ " (1.5cm) narrow hem at lower edge.

Turn in raw edge to meet the crease.

Stitch in place.

